

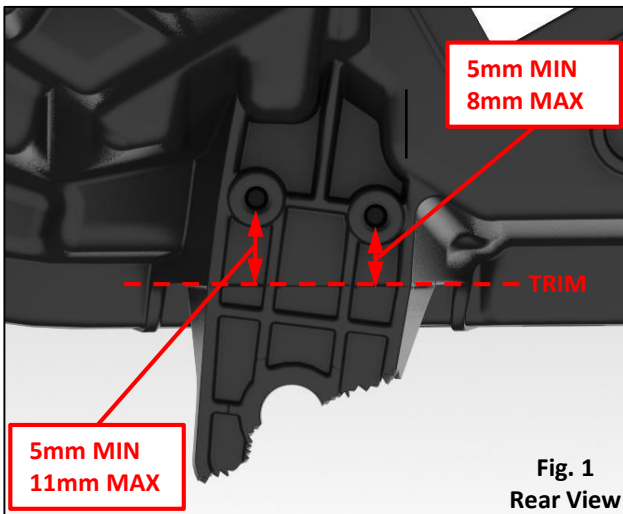


## EQUINOX LH LWR INBOARD HEADLIGHT TAB LED P/N 25-10063

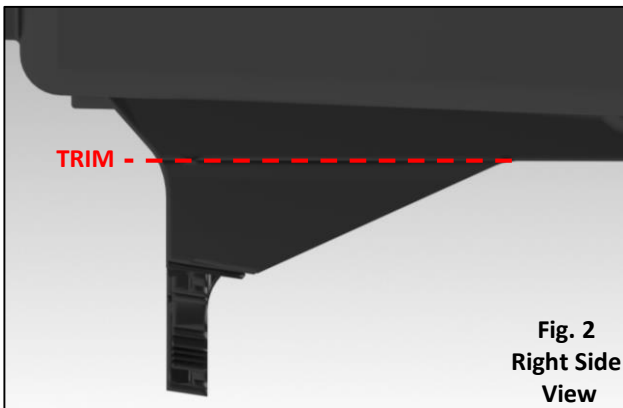
(Please scan the QR Code on the back of this sheet for video instructions.)

| KIT CONTENTS                      | QTY | TOOLS REQUIRED                |                         |
|-----------------------------------|-----|-------------------------------|-------------------------|
| 20-10035 RH UPR MID HEADLIGHT TAB | 1   | PROTECTIVE EYEWEAR            | SCUFFING OR SANDING PAD |
| #8 X .625 PAN HEAD SCREW (A)      | 2   | PHILLIPS HEAD SCREWDRIVER PH1 | ALCOHOL PRE-CLEANER     |
| ADHESIVE PIPETTE                  | 1   | CUT-OFF WHEEL                 | MEASURING DEVICE        |
|                                   |     | DA SANDER                     |                         |

**1. Trim:** Using a cut-off wheel, trim the damaged tab to the **MAX** dimension whenever possible, **Fig. 1**. Make note of the trimming plane to which the **MAX** dimension refers, **Fig. 2**. The **MIN** indicates the least amount of material allowed for proper screw engagement. Next, Sand rough edges to remove excess material from trimming and to ensure a proper fit.

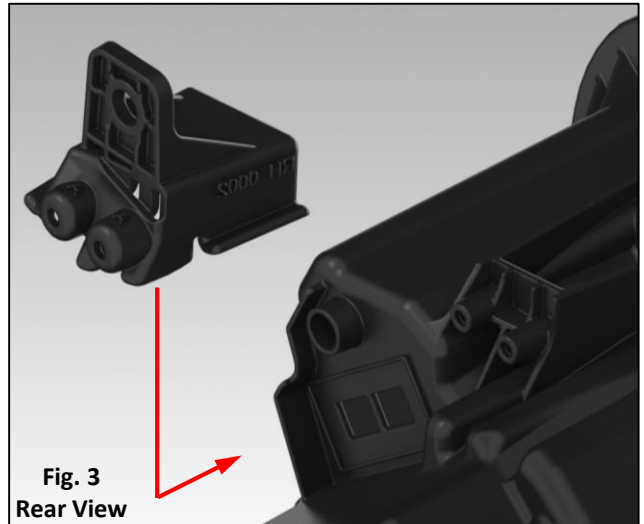


**Fig. 1**  
Rear View



**Fig. 2**  
Right Side View

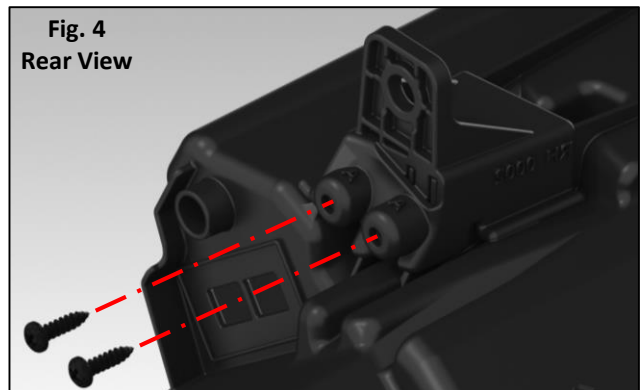
**2. Dry-Fit:** Dry-fit the repair tab(s) **Fig. 3**. If the tab fits without resistance and makes a flush fit to the housing, trimming is complete. If the tab resists installation re-trim the damaged tab, removing only small amounts of material. Repeat the Dry-Fit steps until the proper fit is achieved.



**Fig. 3**  
Rear View

**3. Scuff & Glue:** Scuff the housing and tab(s) using a sanding pad. Remove sanding dust using compressed air. Wipe down the housing and tab(s) using a pre-cleaner to ensure surfaces are free from oil and debris. Apply glue to both the housing and tab(s).

**4. Install:** Install the prepared tab(s) ensuring a flush fit to the housing **Fig. 4**. Next, drive the 5/8" screws at the locations marked (A). **DRIVE SCREWS MANUALLY. APPLY GLUE TO SCREW THREADS BEFORE DRIVING.** Allow the glue to cure for approximately 30 minutes before installing the repaired headlight on the vehicle.



**Fig. 4**  
Rear View

**SEE REVERSE SIDE for views of properly trimmed headlamp tab.**

WATCH HOW-TO VIDEO →

