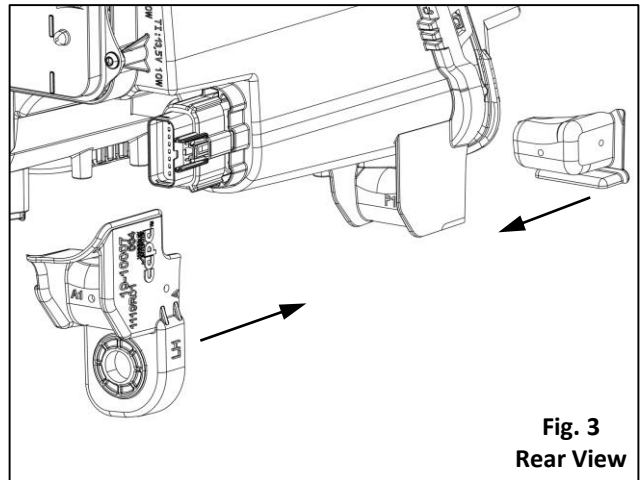
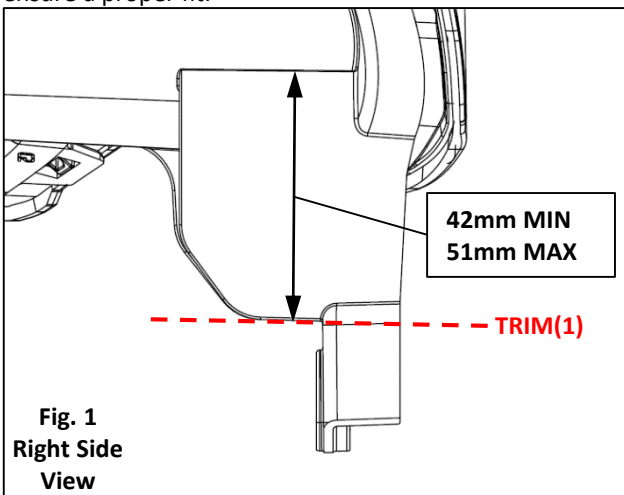


## 2014-21 JEEP GRAND CHEROKEE LH LWR INBOARD HEADLIGHT TAB HID P/N 25-10013

(Please scan the QR Code on the back of this sheet for video instructions.)

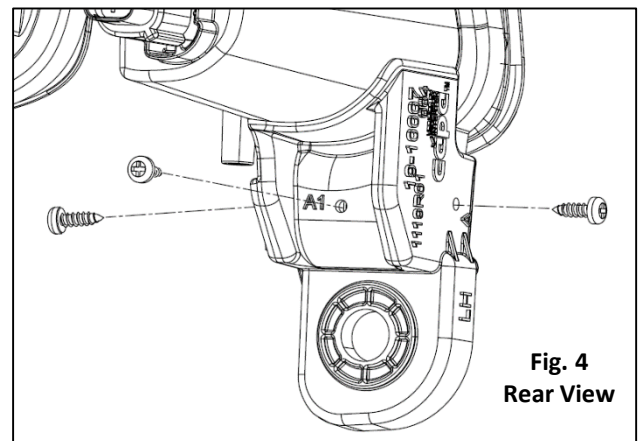
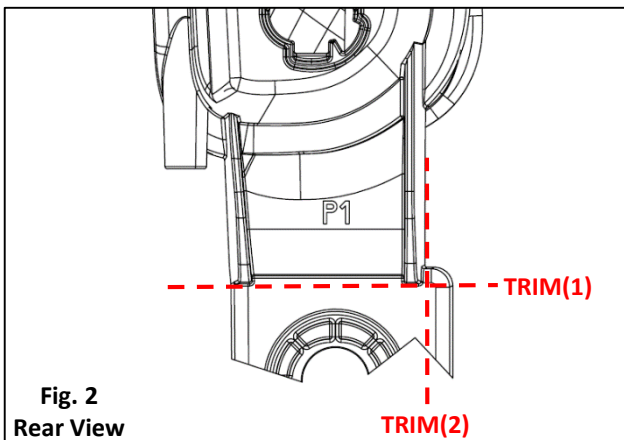
KIT CONTENTS		QTY	TOOLS REQUIRED	
19-10007 LH LWR INBOARD HEADLIGHT TAB	1	PROTECTIVE EYEWEAR	SCUFFING OR SANDING PAD	
19-10008 LH LWR INBOARD HEADLIGHT TAB CVR	1	SCREW GUN OR DRILL PH1	ALCOHOL PRE-CLEANER	
#8 X .625 PAN HEAD SCREW (A1) (A)	3	CUT-OFF WHEEL	MEASURING DEVICE	
ADHESIVE PIPETTE	1	DA SANDER		

**1. Trim:** Using a cut-off wheel, trim the damaged tab to the **MAX** dimension whenever possible, **Fig. 1**. Make note of the trimming plane to which the **MAX** dimension refers, **Fig. 2**. The **MIN** indicates the least amount of material allowed for proper screw engagement. Next, Sand rough edges to remove excess material from trimming and to ensure a proper fit.



**3. Scuff & Glue:** Scuff the housing and tab(s) using a sanding pad. Remove sanding dust using compressed air. Wipe down the housing and tab(s) using a pre-cleaner to ensure surfaces are free from oil and debris. Apply glue to both the housing and tab(s).

**4. Install:** Install the prepared tab(s) ensuring a flush fit to the housing, **Fig. 4**. Next, drive the 5/8" screw at location **(A1)**. Finish by driving the two 5/8" screws at the locations marked **(A)**. Do not over-tighten the screws. Allow the glue to cure for approximately 30 minutes before installing the repaired headlight on the vehicle.



**2. Dry-Fit:** Dry-fit the repair tab(s) **Fig. 3**. If the tab fits without resistance and makes a flush fit to the housing, trimming is complete. If the tab resists installation re-trim the damaged tab, removing only small amounts of material. Repeat the Dry-Fit steps until the proper fit is achieved.

SEE REVERSE SIDE for views of properly trimmed headlamp tab.

WATCH HOW-TO VIDEO →

